

Tips *and* Trips



The Georgia Mineral Society

Atlanta, Georgia

Volume XXXVIII/Nine

September 2009

General Meeting

7:30 PM Monday, September 21, 2009

Chamblee Library
4115 Clairmont Road
Atlanta, GA 30341
770-936-1380

The September Meeting:



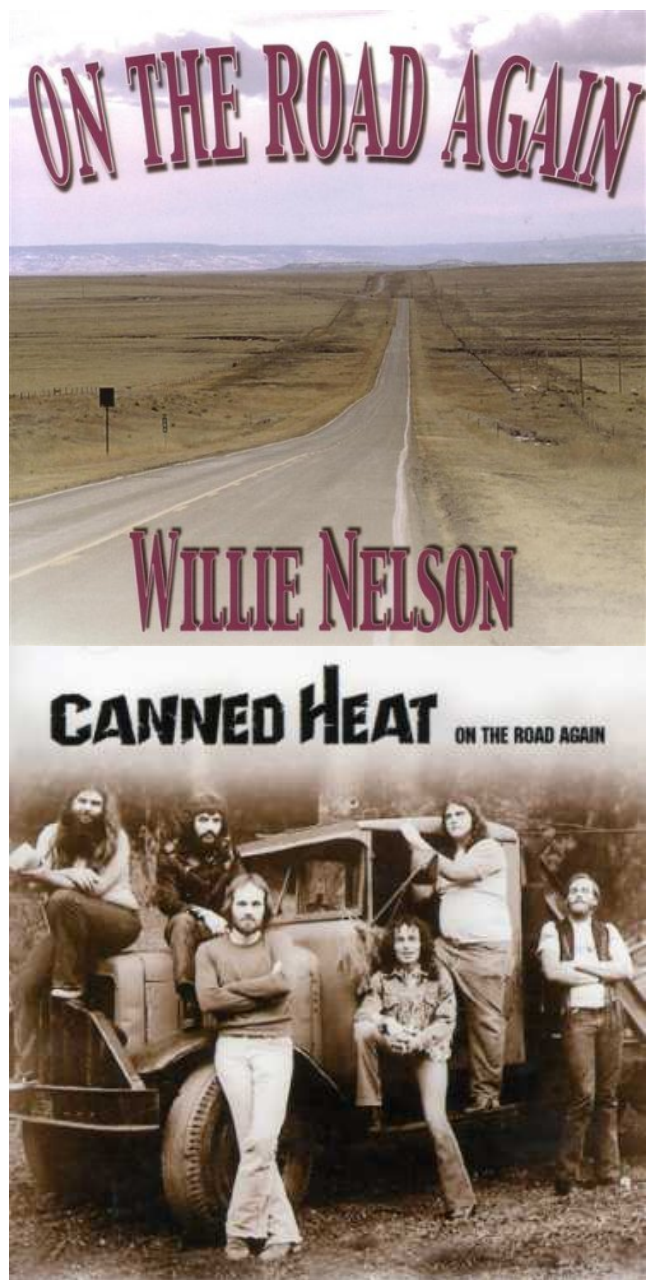
Roadside Geology of Georgia

Dr. Pamela Gore, Professor of Geology at Georgia Perimeter College, will talk to us about her very interesting book, *The Roadside Geology of Georgia*. Rocks, minerals and fossils are all around us. Roadways are a fantastic vehicle (sorry, I just couldn't resist) for exploring the geology of an area.

Willie Nelson will not be able to attend, due to a prior commitment, but we are still hoping Canned Heat will be able to make it.

Please join us for our September meeting!

Carl Ziglin,
VP of Programs





The Georgia Mineral Society, Inc.
 A Non-Profit Educational Organization
 Seventy Years of Tradition
 Objective and Purpose
 To Educate the Youth of the State
 and the Members of this Society
 In the Field of Earth Science



AFMS Education - All American Club 2003

President
 Bill Waggener
 1909 Moores Mill Road
 Atlanta, Georgia 30318
 404.355.7377
president@gamineral.org

Executive Vice President
 Lizabeth McClain
 4000 Lindley Circle
 Powder Springs, GA 30127
 770.439.5756
membership@gamineral.org

Vice President
 Carl Ziglin
 995 Laurel Mill Dr.
 Roswell, GA 30076
 770.241.7800
programs@gamineral.org

Secretary
 Kim Cochran
 2695 Van Court
 Snellville, GA 30278
 770.979.8331

Treasurer
 John Trimble
 3549 Davenport Lane NW
 Kennesaw, GA 30144
 770.425.5075
treasurer@gamineral.org

Gem Section Chair
 Carl Ziglin
 995 Laurel Mill Dr.
 Roswell, GA 30076
 770.241.7800
gems@gamineral.org

Past Mineral Section Chair
 Jay Gorday
 1690 Granger Ct
 Chamblee, GA 30341
 770.986.0822
minerals@gamineral.org

Fossil Section Chair
 Martha Brown
 4837 Greenway Road
 Norcross, GA 30071
 770.448.0876
fossils@gamineral.org

Junior Section Chair
 Roxanne Lopez
 1711 Donna Lynn Drive
 Smyrna, GA 30080
 770.436.0387
juniors@gamineral.org

Micromount Section Chair
 Dave Babulski
 2677 Colony Circle
 Snellville, GA 30078
 678.580.2475
micromount@gamineral.org

Immediate Past President
 Bill Waggener
 1909 Moores Mill Road
 Atlanta, Georgia 30318
 404.355.7377

Trustee to 2009
 Eva Ostrofsky
 1402 Arbor Lake Court
 Hoschton, GA 30548
 678-425-2573

Trustee to 2010
 Marcella Wood
 3764 Briarcliff Road, NE
 Atlanta, GA 30345
 404-636-6102

Trustee to 2011
 Anita Westlake
 1253 Spencer Drive
 East Point, GA 30344
 404.761.7849

Tips & Trips Editor
 Tom Batcha
 2300 Oakland Chase ct
 Lawrenceville, GA 30044
 678-407-4224
newsletter@gamineral.org

Field Trip Chair
 George Libby
 1730 Rhett Butler Dr.
 Lilburn, GA 30047
 770.978.2117
fieldtrips@gamineral.org

May Show Chair
 Kim Cochran
 2695 Van Court
 Snellville, GA 30278
 770.979.8331

Webmaster
 Jim Flora
 P.O. Box 605
 Hiawasse, GA 30546
 706.896.8040
webmaster@gamineral.org

Education Chair
 Bill Waggener
 1909 Moores Mill Road
 Atlanta, Georgia 30318
 404.355.7377
education@gamineral.org

Committee Chairs

| | | |
|------------------|----------------------------|------------------------------|
| Adopt-A-Highway | Ginger Peterson | 404.403.4855 |
| Assets/Equipment | Jay Gorday | 770.986.0822 |
| Awards | Carl Ziglin | 770.241.7800 |
| Building | John Trimble | 770.425.5075 |
| Curator/Gem Box | Kim Cochran | 770.979.8331 |
| Facilities | Open to Volunteers | |
| Historian | Roxanne Lopez | 770.436.0387 |
| Hospitality | Margaret Ronan | 404.636.0720 |
| Librarian | Julian C. Gray | 770.973.3632 |
| Parliamentarian | Frank Decaminada | 770-992-8309 |
| Refreshments | Kim Prakash & Nancy Marden | 770.879.0476 770.447.8542 |
| Special Events | Kim Cochran | 770.979.8331 |
| Sunshine | Linda Batcha | 678.407.4224 |
| Telephone | George Libby | 770.978.2117 |
| SFMS Rep. | Frank Decaminada | 770-992-8309 |

The article submittal due date for the October 2009 newsletter is September 10, 2009.

GENERAL MEETINGS
 General meetings are held on the first Monday of each month. In the event that the first Monday is a holiday and/or the facilities are not available, the meeting will be held on the third Monday of the month. General meetings are currently held at the Chamblee Branch of the DeKalb County Library System. Any deviations from the above schedule will be announced in Tips and Trips.

The Georgia Mineral Society on the Internet:
<http://www.gamineral.org>
 E-mail Early Notification Program: A field trip and club news update service. To join, members are requested to send in their current e-mail address to:
gms@gamineral.org

May Show Committee Chairs

| | | |
|------------------|-------------------|--------------|
| Show Chair | Kim Cochran | 770.979.8331 |
| Dealer Chair | Anita Westlake | 404.761.7849 |
| Exhibits | Tom Batcha | 678.407.4224 |
| Demonstrations | John Trimble | 770.425.5075 |
| Hospitality | Richard Graveline | 770.972.8714 |
| Treasurer | John Trimble | 770.425.5075 |
| Advertising | Jay Gorday | 770.986.0822 |
| Dealer Dinner | Ginger Peterson | 404.403.4855 |
| Database | Mary Porter | 770.998.1018 |
| Auction | Kim Cochran | 770.979.8331 |
| Set Up/Take Down | Jay Gorday | 770.986.0822 |

Announcements for educational publications, continuing education classes, and shows or exhibits are provided in Tips and Trips as a service to GMS members. Appearance of the above in Tips and Trips does not constitute an endorsement by GMS.

September 2009

The Georgia Mineral Society

Georgia Mineral Society August General Meeting

The August 3rd meeting of the Georgia Mineral Society was called to order by Lizabeth McClain, Executive Vice President at 7:37PM. There were 31 members present.

Carl Ziglin introduced Bob Jarrett who gave a wonderful presentation on geology fieldwork in Montana. Richard Graveline held his throat (he was not choking). Bob explained a geology field camp and geologic mapping. He showed some very interesting pictures of the trip. Afterwards Carl presented Bob with a polished piece of petrified wood from Oregon.

Bill Waggenner conducted the business meeting.

- Lizabeth McClain reported that we have 593 members. She was notified that D. Willard Grant, an honorary member, and his wife Betty have both passed away. Julian Gray stated that it had occurred a couple of years ago.

- Carl reported that the program for September has not been finalized at this time.

- Carl stated that due to possibly coming down with a cold that he did not attend the July Gem section meeting. Pam Martin will host the August Gem section. The topic will be cursed gems.

- Carl asked for membership input for award recipients.

- John Trimble made a motion to dispense with the July minutes. It was seconded by Martha Brown. The motion carried.

- Kim Cochran reported that our October dinner meeting will be at the Colonnade Restaurant. We can arrive at 6:00PM, dinner will be served at 7:00PM. The cost will be \$23.00/person.

- Kim reported that the October 17th auction is tentatively scheduled for those members who put in at least five hours of work toward readying the new building for occupation. The address is 11825 Elkins Road, Roswell, GA units J-1 and J-2.

- John reported that we have money.

- John reported that the closing on the building has not been finalized. Closing might possibly be on Tuesday or Wednesday. We have a seller broker who is not working out well. Rose Perrin, our realtor, is doing a lot of extra work. In addition, the seller has some loose ends to settle. We should close before the end of the week. We first need to take down the sandstone planter in the front room. Keep watching your email. Everyone will be notified of the first work day. Someone's phone rang. We are still looking for furnishings. Bill will notify us after the losing. He will call a meeting of the Board of Trustees. Someone's phone rang again. We will then bring in a contractor to begin renovations.

Carl asked when we should expect to be in the building. Bill said we should be in the building by the November meeting. We will hold our Christmas Party there and will be able to once again have the Gem Box at meetings.

- There was no Mineral Section report. The chair is vacant.

- Martha reported that the August 17th Fossil Section meeting will take place at her house. It will be on brachiopods and mollusks and will be titled "The Battle of the Two Valves".

- Roxanne Lopez attended a science and math seminar at Kennesaw University. She spoke about our group and handed out mini grant applications and stickers. Pam Martin folded her paper and put it in her purse.

- Dave Babulski reported that the Micromount Section will meet on the third Thursday in September at Brookwood High School. Future meetings will be held in Roswell. Information on the upcoming meeting will be in Tips & Trips.

- The Georgia Mineral Heritage Project is back on line. Please notify Dave of sites which need documentation. He is looking for volunteers to help.

- Dave is an adviser for the science club at Loganville Middle School. About 15 kids have signed up and he expects that number to grow.

- Tom Batcha reported that we have had some good articles submitted for Tips and Trips. George Libby has written a four part article and Dave has submitted articles for two more issues.

- George has reported that there will be a DMC trip sponsored by Cobb County in September for iron garnets. It will be held near Blue Ridge.

- Bill reported that we have received a total of 17 mini-grant applications. These will soon be distributed to be reviewed by the committee and funds awarded. Dave scratched his head.

- Nancy thanked Mary Porter for bringing refreshments and Richard Graveline for brownies.

- Linda Batcha reported that nothing new has come out with Sunshine since the last issue of Tips and Trips. Dave said that his daughter had premature twins. One did not survive and the other is in ICU. Dave and Karen have our most sincere condolences.

- Frank Decaminada reported that the annual meeting of the Southeast Federation will be held September 18 – 20 at the Moroccan Temple in Jacksonville. There will be a dealer dinner and gem show. It will not be far from the beach. Bring your bathing suit.

- Bill mentioned that there was an announcement in Tips and Trips for the Southeastern Gem, Mineral, and Fossil show sponsored by Marty Zinn. It will be held at the Holiday Inn next to Tellus. There will be a sign up sheet for clubs. Those clubs with 20 or more members in attendance will receive \$100.

- Julian Gray reported that the Friends of Mineralogy will host a Meteorite Symposium on Saturday during the show. Flyers are on the table.

- Anita asked if anyone brought stamps.

- Bill reported that the Board of Trustees unanimously voted to purchase the building. We will buy it for \$165,000. Carl asked if there is a budget for renovations. Bill and John stated that the costs will be somewhere around \$16 – 20,000. The expenditures will be approved by the Trustees after the closing.

(Continued page 4)

Meeting Minutes (continued)

- Anita went to the Frank Cox Show at the Cobb County Civic Center in July. There was no air conditioning. She asked if there was anything we could do to get the Civic Center to fix it? Nancy said that she attended a glass show recently there and that the elevators were not working. Bill suggested that Kim write a letter emphasizing our concerns. John suggested that we look at the Galleria for future shows. Julian stated that the Galleria will not guarantee a date from year to year. Bill suggested that we first get the Civic Center to fix the air conditioning. John suggested that our next signed contract contain a clause concerning the proper operation of the air conditioner.
- Julian brought out flyers concerning upcoming events at Tellus. This Friday Wayne Ranney will discuss the formation of the Grand Canyon. On Saturday August 8th there will be 'Night at the Museum'. There will be lots of scientists in attendance. There will be an \$8.00 fee for Tellus members and a \$20.00 fee for non-members. This will include free admission for the weekend. On September 12th Mike Trebolt will lecture on digging and preparing dinosaurs. The dinosaur casts on exhibit were prepared by his company. Tellus is now associated with the Smithsonian Institution and can borrow specimens for display in Cartersville. Irving dropped his cane. Georgia material long locked away can now be enjoyed by Tellus. The collection at the State Capital Museum has arrived at Tellus. Many specimens written up in the Georgia Geologic Survey publications will be on exhibit. After a long absence Rockfest will be back. The tentative date is June 12-13, 2010.
- With having our own building our library can be set up. Currently it is housed in the basement of Julian Gray's house. Bill thanked Barb and Julian for housing it.
- Olga Jarrett arranged for 60 high school students and teachers to visit Tellus.
- Mickey McClain went on a fishing trip/staurolite hunt in Cherokee County. He did pretty good collecting staurolite. After catching fifty bass and perch he lost count on how many fish were caught.
- Frank asked about the status of mineral collecting in our National Forests. No collecting is allowed on federal lands in Georgia. In North Carolina areas such as Chunky Gal Mountain which were designated mineral collecting sites is now no more. From speaking with members of the Franklin club, Kim was told that the National forests are off limits as well. Recently gold panning was outlawed in Georgia's National Forests.
- Margaret gave out door prizes.
- Someone lost a pair of pliers at our show. Please contact Kim Cochran.
- Frank made a motion to adjourn & was seconded by Olga. The motion carried and the meeting adjourned at 9:17PM.

Respectfully submitted,
Kim B. Cochran, Recording Secretary



President's Message

Greetings to all, The following announcement is no surprise to anyone who has dealt with real estate purchases: On the day before closing, we were informed that the mortgage holder would not release a clear title due to cross-collateralization problems. (Creative banking strikes again!) After discussions with lawyers and brokers, John signed a form to terminate our offer for the properties due to failure to produce a clear and transferable title. We have formally withdrawn and requested the full return of all monies held in escrow related to the purchase of the properties. GMS may have some minimum financial exposure for inspections and miscellaneous costs.

What now? If the seller can produce clear titles, we could make another offer as a new transaction. John and Rose have a list of additional properties for GMS to consider. I know that John has so much time and sweat equity invested in the process to date, that he cannot be looking forward to "doing it again". Regardless, he has begun the process to consider alternatives. John, THANK YOU FOR YOUR ENERGY AND EFFORTS. In the meantime, thank you to everyone for your involvement and support as we continue the search for a GMS home.



Respectfully submitted,
Bill



Mineral Section

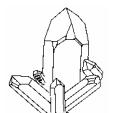
We had three people at the July meeting of the Mineral Section. I'd like to thank Richard for hosting this session and feeding us. We had a discussion on North Carolina minerals along with some samples to look at and feel.

No one at the meeting volunteered or could have their arm twisted to take over the chairmanship of the Mineral Section. So as of now, the Section is in hibernation. When someone is willing to take on the duty of the chair, let our Bill, our President know and the Mineral Section can wake back up. There have been many things going on this summer, including finding a new home for GMS, which may have kept people busy and unable to attend meetings

On a personal note, we sold our house in Atlanta and closed the end of July so. We have made an offer on a house in Augusta and are scheduled to close on this house the end of August, so we will be homeless for only about a month (we are staying at the farm and Sue is commuting to North Augusta from Canoochee every day).

Once again, I would like to thank Richard for being our host for the July meeting.

Jay Gorday, Ex-GMS Mineral Section Chair



Gem Section

September meeting:

Monday September 28th, 7:30 meeting

Everything you always wanted to know about Al₂SiO₄(F,OH)₂, but were afraid to ask.

OK, it's topaz, but Al₂SiO₄(F,OH)₂ seems more mysterious.

We will be meeting at:
LeRoy & Martha Brown's Home
4837 Greenway Road
Norcross GA 30071

Please phone 770-448-0876 to RSVP.

Genuine topaz will be included in the door prizes, so this is a meeting to not miss!

Due to an unbelievable volume of fan mail, amazing GEM SECTION TRIVIA is back?

What is the oldest gemstone?

We're looking for a host for the November gem section meeting. Please see below and let me know if you're interested:

October 26th Thanks to Richard Graveline for volunteering to host!

November 30th YOUR NAME HERE

We are also looking for speakers for all future meetings. Please step up to speak up!

Hope to see you at the meeting.

Carl Ziglin,
Gem Section Chair
gems@gamineral.org



Micromount Section

Below is the Micromount Section Meeting schedule for September through November. The meeting dates are:

- September 17
- October 15
- November 19

The meeting place will be Brookwood High School in Snellville, Georgia. We will meet in the main lobby of the school at 7PM. Please RSVP if you plan to attend.

Dave Babulski
678-580-2475
d.babulski@comcast.net



At the August meeting Bob Jarrett shared his experiences and the knowledge he learned at the Geology field camp.

Fossil Section News

Thank you to the members who take the time to join us.

We will not have a meeting in September. The next meeting will be October 19, 2009.

John Trammel will discuss collecting the Conemaugh Formation just above Coal 4 in Vigo Co., Indiana. This formation is similar to the Mason Creek Formation. I believe it is from the Pennsylvanian Period.

Thank you. Martha S. Brown - 770/448-0876
www.wlbougouva@aol.com

Junior Section

September 7, 2009
Monday, Labor Day
9 A.M.

Stone Mountain Park
Walk-up Trail
Behind Confederate Hall

Yes, we will be meeting on Monday, Labor Day at the bottom of the entrance to the walk-up trail to Stone Mountain. The exact location is the back entrance to the Stone Mountain Park Confederate Hall. I will be sitting on some stone benches. Bill Waggoner will lead our group half way up the mountain discussing the history and features of the mountain. After that, you can stay for **Geology Day from 12 pm to 4 pm**. The only cost is a parking fee of \$10 at the entrance to Stone Mountain. All ages are invited to come. Bring good walking shoes and a water bottle. Call me if you will be attending. 678-492-0489

Roxanne Lopez

Junior Chair

Education Report

GMS members continue to spread their knowledge of the earth sciences. Kim Cochran talked to the Montgomery Gem and Mineral Society about deserts. Shirley and Lawrence Parker continue to educate the students at Clayton Elementary School in Cherokee County. Dave Babulski has been named as advisor to the Science Club for Loganville Middle School. Thanks Dave for leading our middle school students in the way of science. Dr. Olga Jarrett lead a group of GSU students on a field trip to Tellus Museum. Thanks Olga for educating our future science teachers.

Mickey McClain, Christina Lewis and Roxanne Lopez can use support in their classrooms. Please ask them what would be most helpful. As you collect, please include a bucket for classroom specimen donations as well as grab bag specimens. Every PLR donated is one that we don't have to buy for classes or grab bags.

The Holly Camp Memorial Earth Science Education Minigrant 2009/2010 applications are being evaluated. We have received 19 applications. We will support as many of these as we can. This problem we should have always! Minigrant awards are being delayed due to my computer problems. Awards will be announced as soon as possible. Please encourage all Earth Science, Earth Systems and elementary teachers that you know to apply for the \$300 Minigrants for 2010-2011.

Please let me know who is sharing their rock and fossil knowledge. Everyone has some unique tidbits that students love to share. It is encouraging to others to see that we are welcomed and well-received by clubs and teachers over the state.

Respectfully submitted,
Bill Waggener, Education Chair

Membership

We have some new members to announce to the club. Please welcome the following: Bud, Mechelle, Christopher, and Jonathan Armour of Cartersville, GA; Barbara McGuire, Leigh Monson, Robert, and Timothy of Buford, GA; Ellen Prophater and Sue Sutherland of Canton, GA; and Tami and Dirk Watkins and Jordan Cumbey of Conyers, GA. We're glad to have them join us.

Please let me know if you have any changes to your information, **especially e-mail address changes**. You may e-mail me at mgm5258@netzero.net or call me at 770-439-5756.

Happy rockhounding!
Lizabeth McClain, Executive Vice President



Annual Dinner Meeting

October 5th 2009 at 6:00 PM
Colonnade Restaurant
1879 Chesire Bridge Road
Atlanta, GA 30324
Cost \$23.00 / Person

October is the end and beginning of our year. Dinner will be served at 7:00pm. Afterward there will be a short business meeting. Awards will be given out and the new officers sworn in.

I will be taking reservations up to Friday October 2nd. If you make reservations and not show up you will owe the money to GMS as we will be billed for no shows. If you show up without reservations there may not be space for you. Please RSVP.

Kim
770-979-8331

Adopt A Highway

Highway 5
Ballground, GA
October 31, 2009

Thanks to all who participated in the cleanup of Highway 5 in Ballground in April. And, thanks to Dillon for lunch (he found 2 one hundred dollar bills during the cleanup...so he bought our lunch!).

We will go back for another day of fun on October 31st for our celebrated "Costumed Pick-Up Event".

We will meet @ 10:00am @ the Conoco Station. We will eat lunch after the pickup and then go nearby to collect local specimens...if you have ideas or suggestions, please let me know or we will decide when we get to the area.

Directions: Take 75 north to 575 north. Go 35 miles to exit 27(Business 5)...the Howell Bridge Road/Ballground exit. Go right to the stop sign, then left on Bus.5 / Canton Hwy. Go .5 miles and the Conoco station is on the left. Please park away from the convenience store. It takes about 30 minutes from the I-75 / 575 intersection to get to the meeting site.

Most of us enjoy dressing in costume for the pick-up. It seems to make the morning more fun and the local traffic appreciates it, too!

I look forward to seeing you there!!

Yours in the Effort,

Ginger Peterson
404 403-4855

September Birthdays

- 9/01 Persephone Woodson
- 9/02 Beatrice Borders
- 9/02 Brad Shuford
- 9/03 Jacob Hottenstein
- 9/04 Sue Sutherland
- 9/05 Doug Daniels
- 9/05 Hakon Jones
- 9/05 Steven Kalvelage
- 9/05 Marion Williams
- 9/08 Shirley Borders
- 9/08 Brittany Daniels
- 9/09 Debra Davis
- 9/09 Tracey Patterson
- 9/09 Ellen Prophater
- 9/10 Marie Aldridge
- 9/11 Rebecca Myers
- 9/12 Philip Blair
- 9/13 Shannah Malone
- 9/13 Alec Tillander
- 9/14 Chuck Jordan
- 9/15 R. J. Phillips
- 9/17 Adam Barwood
- 9/17 Richard Domzalski
- 9/17 Rick Lunsford
- 9/18 Linda Batcha
- 9/19 Dennis Buchanan
- 9/21 Frances Fleck
- 9/21 Michelle Hottenstein
- 9/23 Dave Babulski
- 9/23 Wayne Dodd
- 9/24 Janet Shuford
- 9/25 Gavin Lamb
- 9/26 Shelby Barwood
- 9/26 Ed Faust



- 9/26 Sarah Gorday
- 9/27 Jessica Hyaduck
- 9/27 Barbara McGuire
- 9/27 Scott Wilhoite
- 9/30 Shawn Lockhart
- 9/30 Pamela McMurray
- 9/30 Connor Poole

September Anniversaries

- 9/02 Pam and Victor Kennedy

Sunshine

As we learned at the August meeting, Dave and Karen Babulski's daughter Katrina had twins. The twins were born premature and the twin named Eli passed away two days after birth. The second twin named Jack is now doing well and is expected to come home in the next couple of days. The mom is doing well. Please keep this family in your thoughts and prayers.

As always, please continue to let me know if there is anything you would like to mention in the Sunshine section.

Linda Batcha
Sunshine Chair



Stone Mountain Geology Day

Monday, September 7th

The GMS will have tables from 1200 to 1600 on Labor Day. Volunteers are welcome to respond to me at your earliest convenience for a chair and lunch count. Roxanne, John Trimble, and myself will be attending. All are welcome to help.

Thanks, Bill



FALL FOSSIL FESTIVAL
FALLS OF THE OHIO STATE PARK, INDIANA

The Falls of the Ohio State Park's 15th Falls Fossil Festival will be held September 19 (9 a.m. - 6 p.m.) and 20 (10 A.M. - 5 P.M.). This event, sponsored by the Falls of the Ohio Foundation, will feature:

- * Daily non-technical programs and workshops for hobbyists, educators and the curious on fossils, minerals, and collecting.
- * Almost 20 vendors selling fossils, minerals, educational material, crafts and food.
- * Children's Activity Area with a variety of activities scheduled.
- * Resource Tent where you can get fossils and rocks identified by members of the Indiana Society for Paleontology, the Kentucky Paleontological Society and the Kyana Geological Society. Learn about other geological sites with material from many other fossil parks in North America, as well as information and free literature from the Indiana and Kentucky Geological Surveys.
- * Fossil and mineral identification (Bring in your mystery rocks!)
- * Hikes on the fossil beds, including extended hikes on the outer fossil beds
- * Collecting Silurian and Devonian fossils from special rock piles donated by Hanson Aggregates and mineral piles from the dumps of Cave in Rock fluorite mines
- * Exhibit – "Green Planet: The History of Plants!" in our Interpretive Center explores the rise of plants in Earth's fossil record. This exhibit is in partnership with paleobotanist Dr. David W. Taylor, chair of the Department of Life Sciences at Indiana University Southeast. (The exhibit runs from August 15 – November 29.)

Proceeds benefit the educational programs at the Falls of the Ohio State Park which reach more than ten thousand students each year!

A web site with a detailed schedule for the Festival is posted on our web site at: <http://www.fallsoftheohio.org>
For more information contact Alan Goldstein at 812.280.9970 ext. 403.



(Map shows day 3 - 5 of George Libby's trip)

This is the first of a four articles by George Libby about his recent adventures on his vacation of the Western US.

Thomas the Train made it over the Mountain or how I spent my summer by George Libby

Any one that has read anything I have written, in the past, knows that I am not a writer. I am not a geologist or professional. I am in awe of those that can look at a rock and explain its mineral content or know the age of a fossil. If I had to describe myself it might be an eclectic collector who dabbles in many things. I have faceted some gems, but I am still not happy with my final polishing. I have played with silversmithing and even done some sculpturing. I have enjoyed digging and finding crystals and gems but all of my collecting has been within a couple of hundred miles of my home.

I am now 72 years old and a bout with GBS has stolen my balance. That does not stop me. I had some time and decided to travel west to sightsee and do some collecting. The first thing I found was that I did not have enough time. It seems that everyone I spoke to had their own favorite location. The collecting possibilities were endless. I had some decisions to make. I knew any time I searched on my own, I have never been able to find that great specimen on my first trip. I always did better on a second or third trip to the area. This would mean I would need a lot of time. There was the other option. I enjoy fishing and there are times I just might want to relax and wet a line. That is fine but if I want to be sure I would catch fish, I would go with a guide. This is what I decided I would do collecting rocks. I would go to the commercial locations, where ever possible, for the greatest chance of finding that exceptional specimen.

Next was the trip. I did my research and looked forward to collect things that I could not collect locally. Digging for Opals in Virgin Valley and searching for ammonites in Fort Worth, searching for fish fossils, collecting Thundereggs and Rainbow Petrified Wood. I am getting ahead of myself. I have never been much of a photographer but I was advised to take pictures. I was also advised to keep a journal. I did my best on both of these accounts. Many people have asked about my trip. To answer I thought I would give you notes from my journal.

6/1 Got up, showered, breakfast, fed my tropical fish (had friends to do this while I was away) fixed a bird feeder that squirrels broke and now 10:25 Wagons HO. 7PM central time- crossed the Mississippi

6/2 Started driving at 8:20. Had several other notes but I just can not read what I wrote. I did stop at Ogallala, NE for the night

6/3 Yesterday it was 90 degrees. Today it was 52 degrees. The time changed somewhere on the way again. I was up at 7:30 and a brochure at the motel advertised a Petrified Wood Museum in town that would open at 9 AM. I checked the motel breakfast. It was an easy decision to go to McDonalds for breakfast and then I stopped at the museum. I was early but the museum was open at 8:45 and I went in. This place was started by two brothers, Howard and Harvey Kenfield. They had been collecting for over 45 years. One was there now and he guided me through the displays. Not only were there many displays of wood from the Blue Forest, but pictures and music boxes, they made, from petrified wood. There was also agate butterflies they created. Mr. Kenfield offered to give me a location where I could collect some wood. I thanked him but did not accept it. That might have been a mistake but at

September 2009

The Georgia Mineral Society



that point all I wanted was some rainbow wood from Arizona. They have turned the operation over to Keith County and you can find them at visitogallala.com. Driving west, well let's say there was a smell. At first I thought something was going wrong with my car. It was the cattle yards. At 10:30 I saw and almost hit my first tumbleweed. There was no place to stop and take a picture but the views were something else. Later on in the trip, I went to the Painted Desert and those bluffs were certainly more colorful but here you saw gray bluffs with flat tops. Some of those tops had large boulders on top which had been carved by the wind so they looked like sculptures rising up out of the top of the bluffs. Continuing on I passed the Pine Bluffs Recreation area. There was a large tent like section covering some thing so I turned back for a 10 mile detour, to try and see what it was about. They were closed for lunch. It seems they had found some implements from early Indian life there. I didn't wait and I continued on. There are signs on the road when it is closed for snow but I only ran into fog. I did see my first wind generators here. Continued on to Kemmerer Wyoming and saw the original JC Penny's store here.

6/4 I Drove to Ulrich's and Colby took me to their private collecting site in his 4 wheeled Drive GMC. I could never have made it in my car. We split some shale and did find fossils. Back at the station he trimmed the slabs to size for me and then I went to Fossil Butte which was a hop, skip and jump down the same road. I continued on to Salt Lake City and the Great Salt Lake. I wanted to collect some salt crystals. I was thinking of the Halite crystals collected at Searle's Lake but there was nothing like that here. I asked around and most people thought the cubic crystals were collected underground. I ended up buying some at a gift shop at the lake. I doubled back again and went to the Mormon Church. I then headed west again and passed the Bonneville Flats. Here people were running out on the

white salt. I had walked on the salt at Great Salt Lake and did not stop. The graffiti, at the Flats, was a little different. Everything on the sides of the road was white, encrusted with salt. People had found some black rocks and when washed, the rocks were very black so these rocks were gathered together to form letters and words "John loves Mary", "Bill was here", etc. Back East, while traveling on the interstate, I have seen a tractor pulling two trailers. Here I saw a tractor pulling three trailers.

6/5 I Drove to Denio. I was calling it "Dee no" but it would be "Da nay O". Actually I am still not sure because they were trying to decide if you "Fill up" or "Full up" your gas tank. The motel at the junction had no TV and I did not bring a book. Every one just sat at the bar and got soused. It was raining and I called the Peacock Mines to ask if they would be open the next day. I was told it all depended on the weather. That left me free to explore the area a bit. I was on a nice two lane road and then a sign said pavement ends. Nothing to say I had entered a different county but the pavement turned to gravel.

6/6 Rain, rain, rain. I sat at the bar and had a couple of eggs, toast and coffee and instead of using one of my rain dates (there was no way I could sit at the bar and just get drunk) I continued on toward Boise Idaho while trying to avoid unpaved roads. The only way would be to drive south instead of north. Looked like a 100 mile detour but with the rain I was afraid I might get stuck if I tried the shortest route. Actually 3 hours later I passed that unpaved road to Denio. Not bad when I would have been on that road for at least an hour and half. Well worth it. Continuing on the way I came upon a sign Entering Mountain Time. I had already been in Pacific Time and now was just driving north. Must have been a quirk in the dividing line between the different states or I drove further east than I thought. Now I was on 95 heading north when I saw the sign to Succor Creek. Any book, I read, said you need a 4 wheel drive or at least a pick up to enter but the road looked good and people had pulled trailers down this road. I thought it might be nice to collect some Owyhee Picture Jasper. This was not something I originally planned to collect, but I started searching. I did find Jasper but without the pictures. Passing the Owyhee Recreation area I came to Davis Road. The book said 1/2 mile down was a wash. I never found the wash and it looked like a private road a short way down and I turned around. Here I did collect my only piece of Picture Jasper. It did not have any of the blue color but it is a 5 X 6" chunk. It was raining now, and getting late, and I had to drive out to the north end of the park and still find a motel so I called it quits. Actually finding a motel was not that hard. I used my cell phone and called Choice Motels. Most times they could book something near where I was and made the reservations over the phone. All I had to do was punch in the address and my GPS was able to direct me directly to the location. I'll talk about shortfalls of GPS navigation later and why I now have two GPS devices.

THE MICROMOUNT CORNER

MILLER INDICES

What are those numbers in parentheses on crystal drawings?

By: David Babulski

When looking through books on mineralogy, do you ever wonder what those three numbers in parentheses, like this: (100), on crystal faces or in the description of crystals are supposed to represent? In these months Micromount Corner I will try and explain, in simple terms, what those numbers are. We will not go into the mathematics of Miller Indices, but rather take a non-mathematical simple case approach to what can be a rather esoteric complex subject. So let's get started.

Every mineral crystal can be described as having three axes; usually labeled as a, b and c. The hexagonal crystal system has four axes, but we will ignore that for now. To keep our discussion as simple as possible I will limit the discussion to isometric crystals. Figure 1 shows a simple cubic crystal with the three axes labeled as a and a-, b and b- and c and c-. In this crystal system all the axes are equal length. This simplifies the mathematical aspect as we can see that each face of the cube crosses an axis at the same distance. For simplicity sake we will label that distance as 1 unit of distance.

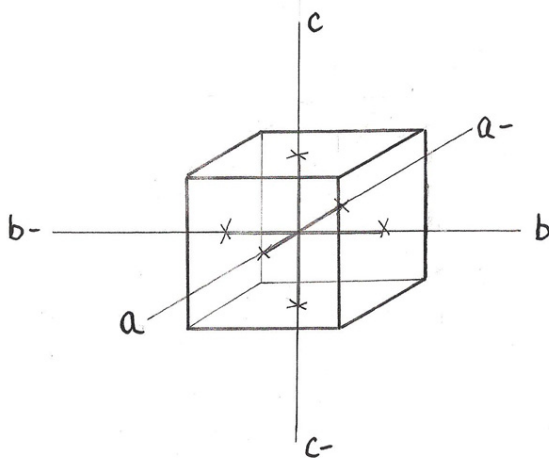


Figure 1

Notice that the "a" axis runs from front to back through the crystal, the "b" axis runs from left to right through the crystal and the "c" axis runs vertically through the crystal. The minus sign on each axis just means it is on the "back side" of the crystal. Let's look at the top face of our cubic crystal.

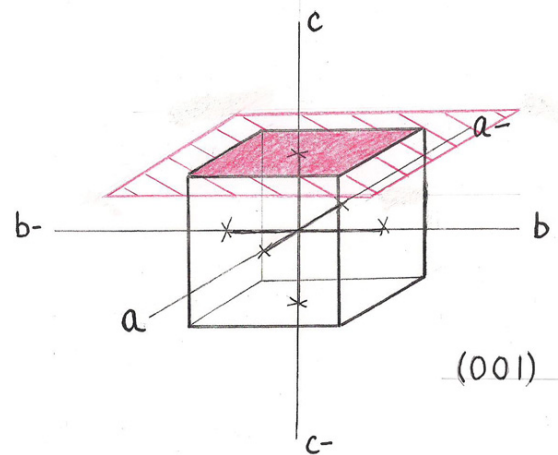


Figure - 2

As shown in Figure 2, the top face of our cubic crystal has been shaded in Magenta. Now suppose we extend that face out in every direction a bit as shown by the crosshatched portion. Notice, from figure 2, that this crystal face crosses the "c" axis at 1 unit of distance but remains parallel to the "a" and "b" axes and if run out to infinity would never cross these axes. Now a tidbit of information: Miller Indices are always listed in terms of the three crystal axes in the form: "a" first, "b" second and "c" third. So we can say that the top crystal face of our cubic crystal cuts the "c" axis at 1 and the "a" and "b" axes at infinity; we can show this symbolically as: $\infty \infty 1$. Well infinity is a rather cumbersome number! So if we take the inverse of these three numbers we get: 0 0 1. It is common practice to put the Miller Indices numbers in parentheses as shown in the bottom right of Figure 2.

Let's look at another example. As shown in Figure - 3 the left hand face of our cubic crystal, shaded in magenta, cuts the "b" axis at 1 unit of distance.

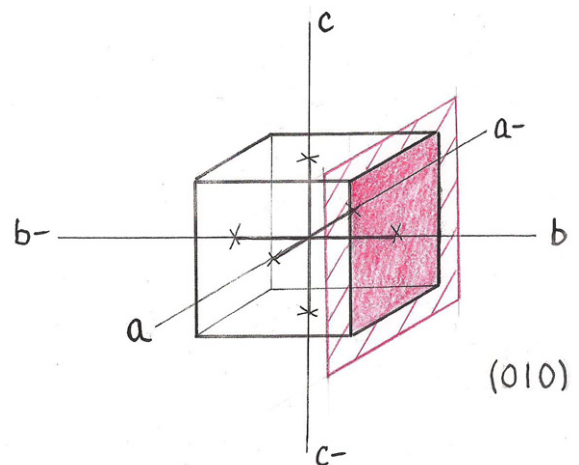


Figure - 3

If we extend this crystal face out in every direction, as shown by the cross hatched portion, we see that it remains parallel to the "c" and "a" axes to infinity. So we can show this symbolically as: $\infty 1 \infty$. Again, taking the inverse of these numbers we get: $0 1 0$ or in common Miller Indices form: (010) .

The next example shows what happens if a crystal face cuts one of the crystal axes on the back side of the crystal. Reference Figure – 4

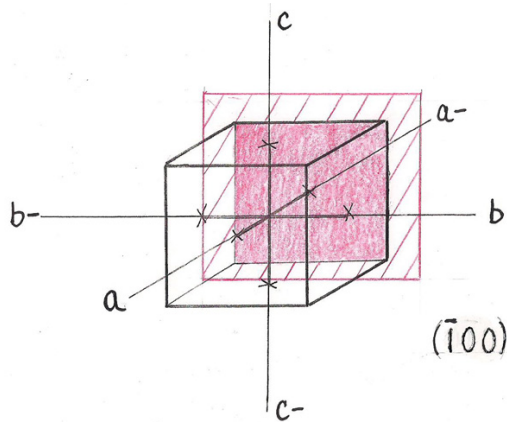


Figure – 4

As shown in Figure 4, the back crystal face, shaded in magenta, cuts the "a" axis, at 1 unit of distance, on the back side. Note that the "a" axis is labeled with a minus sign to indicate it is the back side of the "a" axis. If we extend this crystal face out in every direction, as shown by the cross hatched portion, we see that it remains parallel to the "b" and "c" axes to infinity. So we can show this symbolically as: $-1 \infty \infty$. Now as before, if we take the inverse of these numbers we get: $-1 0 0$. In Miller Indices practice, the negative is indicated by a bar over the number 1, as shown in the lower left of Figure 4. This is pronounced as "bar one".

Suppose, instead of a face of the cube we have a corner face as shown, shaded in magenta, in Figure 5.

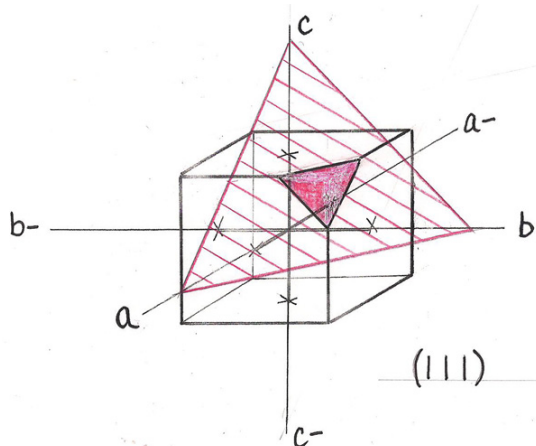


Figure -5

If we extend the edges of this triangular crystal face out in every direction we see it cuts all three axes at the same distance of 2 units. We can represent this symbolically as: $2 2 2$. Since the idea is to keep the numbers as small as possible we can divide through by the common factor of 2 to get: $1 1 1$. In Miller Indices format this would become (111) , as shown in the lower right of Figure – 5.

Figure – 6 shows our cubic crystal with all the faces labeled with Miller Indices.

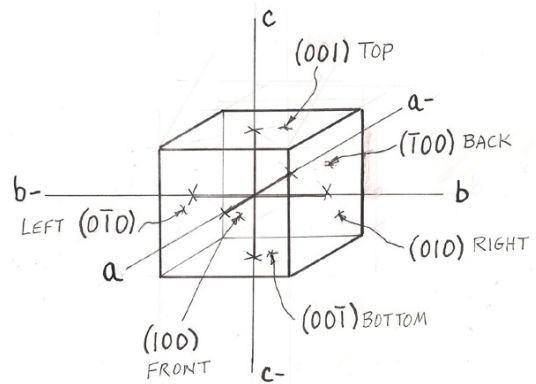


Figure – 6

Notice in Figure 6 that the top and bottom faces are inverse of each other as are the right and left faces and front and back faces.

The subject of crystallography is a very complex one. I have tried to explain in simple terms about the Miller Indices for crystals. At this point hopefully you have a better idea of what those numbers in parentheses are in crystal drawings. From a micromounter perspective it is often useful, when describing a crystal seen through the microscope, to use Miller Indices notation. If you would like to pursue this subject in more detail I have listed some useful references and additional reading below.

REFERENCES:

Mason, B and Berry, L.G., Elements of Mineralogy, W.H. Freeman and Co., San Francisco, Pages 20 – 23

Smith, J.R., A Guide to Understanding Crystallography, Self Published; Jennie R. Smith, 1991, Pages 66 – 72

Dana, E.S. and Ford, W.E., Dana's textbook of Mineralogy, John Wiley and Sons, New York, 1966, Pages 43 – 67

http://www.tulane.edu/~sanelson/eens211/axial_ratios_parameters_miller_indices.htm

http://www.chem.qmul.ac.uk/surfaces/scc/scat1_1b.htm

<http://www.gly.uga.edu/schroeder/geol6550/millerindices.html>

<http://www.encyclopedia.com/doc/1O13-Millerindices.html>

Until next time, may all your skies be blue and all your vugs be crystal filled.

Pickens County Marble Festival and Mine Tour

By Tom Batcha

The Marble Festival occurs each year on the first full weekend of October. The festival has all the features of the standard North Georgia festival with crafts, food, music, and for the rockhound there is another treat waiting you. As the name implies the Marble Festival gets its name from the rich Marble Industry that operates in Pickens County around the towns of Tate, Nelson, and Marble Hill. During the festival is the only time of the year that the local marble quarries open up to the public.

At the 2008 festival, the marble history tour made three stops on its route. The tickets for the tour can be purchased at the tent in front of the festival entrance in Jasper. Sightseers are picked up at the festival and tours leave every 30 minutes. The first stop was the Marble Museum located in the town of Nelson. The museum is located in the Nelson City Hall. The museum opens its doors for the weekend of the festival but its normal hours are Monday – Friday from 9am to 4pm and there is no admission charge. Here visitors will find rare photographs, tools, and equipment from the marble business. On display are several exhibits of various products made from marble thru the years. A film is also available for your viewing. The large building directly behind the City Hall bears the name of the Georgia Marble Company, the facility is now owned by Blue Ridge Marble and Granite.



Tate House made of Pink Marble is now a Bed & Breakfast

In Tate, you will pass by the only elementary school in the state made from marble. The tour also goes by the Tate house made from pink marble. The house now operates as a bed and breakfast. Just as you pass the house, the bus turns right into the entrance of the Georgia Marble Company that is now owned by the Polycor Corp and operates under the name of Polycor Georgia Marble. Here the tour stops for a view at the deepest marble quarry on planet earth. Employees of the quarry are present to talk about the operation and answer any questions that visitors may have.



Heavy Equipment at the Huber Mine

After loading back onto the bus you will travel east on Highway 53 to the area known as Marble Hill. Along the way you will see a number of marble operations, some abandoned and others still active. One operation that is still active is run by Imersys Marble. Shortly after passing Imersys the bus turns right into the final stop of the tour at J.M. Huber Corporation. Here the mining operation is



GMC is home of the world's deepest marble quarry

The bus leaves Nelson and heads south to the town of Tate, the home of the Georgia Marble Company. GMC was chartered in May 1884 and during most of its operation was owned by the Tate family for which the town gets its name.

September 2009

The Georgia Mineral Society

underground. The bus will pass by the tunnel entrance but due to safety reasons the tours are not aloud to enter in. At the Huber facility, visitors get an up-close look at the heavy-duty mining equipment that is in use. Workers are present to give an overview of the mining operation and piles of marble are available in a various sizes so that everyone can take home a souvenir of their choosing. I came back with a core sample and a fist size piece of fresh white marble.

After you arrive back at the festival make sure you take time for the festivities. In the craft area you will find a number of local rock dealers and wire wrap artists. Before you call it a day be sure to visit the fine arts competition where local artists work on sculptures made from the local Georgia Marble.

Tips for the festival:

Tips on the event include to check the website for the Pickens County Chamber of Commerce for information prior to attending. <http://www.pickenschamber.com>. Plan on arriving early and use the shuttle service from one of the satellite parking lots. The price for the quarry tour also includes admission to the festival. So stop and buy your quarry ticket first and reserve your spot. Bring your camera, take plenty of pictures, and enjoy this interesting piece of our Georgia mining history.

2009 Mine Tour Update from Pickens Chamber Website

This year we are offering 2 tours. The Red Tour consist of Polycor Georgia Marble, Imery's and Huber all of which our operating quarries. The Blue Tour also includes Polycor Georgia Marble, the Marble Museum, and Blue Ridge Marble & Granite Company. On the Blue tour you will see the mine, then a museum that shows old tools, and the history of the marble, then where marble is cut and carved. The tours are \$10 for Adults, \$7 for Kids, and Under 5 are Free (this includes your admission to the festival) and are sold on a first come, first-served basis. It is suggested that you make reservations as the tours will sell out.

Schedules for the two tours are as follows:

RED TOUR

SAT & SUN

9:00am, 10:00am, 11:30am, 12:30pm, 2pm, 3:30pm

BLUE TOUR

SAT & SUN

9:30am, 10:30am, 12:00pm, 1:00pm, 3:00pm

You Can Book Your Tour ONLINE at

<http://www.pickenschamber.com/Pay-Online.238.0.html>

under reason for payment please list: Quarry Tour and your selected time. If you would like to make a reservation by phone call 706-692-5600!

The Southeast Federation of Mineralogical Societies, Inc
The Friendly Federation - Founded in 1976 to serve.

DMC Program of the SFMS Field Trip Committee
An Official Field Trip of The Cobb County Gem & Mineral Society, Marietta, GA(HOST)
An Official Field Trip of the GEORGIA MINERAL SOCIETY, INC.

9:00 AM, Saturday, September 26, 2009
Blue Ridge, GA

"Large Almandine Garnets"
(FEE AREA)

We all remember those grapefruit size garnets that we had collected in Epworth before the farm was sold. Now a woman, Sandy, living on top of one of those mountains in Blue Ridge had invited our club on an exploratory trip to see if there were any garnets on her property. There were a couple of misdirection's but I am happy to report that we finally came upon a place that the garnets were laying all over the surface. OK, they weren't that big but I am sure that with a little digging large garnets will be found.

FEE AREA: Fee - \$10 each adult

Children : Free

Pets: allowed on leash.

COLLECTING: Large Almandine Garnets

Tools: I would bring a shovel. You need a bucket and possibly a screen. A sun screen also, bug spray, hat, lunch, and something to drink. As always, if you dig a hole- fill it in when you are finished

Meet: At our old location going to the Hackney Farm. In the center of Blue Ridge GA. There is a McDonalds on the North East corner of GA 5. There is a large parking lot there with a movie house behind and to the west of the McDonalds. Getting there is easy. Traveling North from Atlanta you take I-75 north. Follow the split to I-575 and keep driving North. The road will change to GA 5 and GA 515. It is the same road so keep driving. Go past Ellijay and keep driving to Blue Ridge. GA 5 will make a left here and that is where you will find our meeting place to caravan to the site. It is about 1&1/2 hours from Atlanta.

George Libby - Field Trip Chair

Cell 678-910-7476

Onsiteinatlanta@yahoo.com

"Field trips are open to all members of associated clubs of the DMC program of the SFMS Field Trip Committee and to all members of SFMS member clubs who have provided their membership with SFMS liability insurance. Because of insurance requirements, members of the GENERAL PUBLIC are NOT invited on this or any DMC program field trips!"

DMC Program / SFMS Field Trip committee's purpose:

To collect field trip information from it's member societies; schedule and coordinate field trip dates; disseminate field trip information to all member clubs so that each member society may publish this information as one of their "official" scheduled field trips.

SFMS 2009 ANNUAL BANQUET AND SHOW

Hosted by the Jacksonville Gem and Mineral Society
September 18th and 19th, 2009.

The annual SFMS meeting will be in conjunction with the Jacksonville Gem and Mineral Societies 50th Anniversary Celebration at the 21st annual JGMS Gem and Mineral Show and Sale

Meeting times and dates:

Cracker Barrel session 7:00 p.m. September 18, 2009.
Conference room at Morocco Temple
3800 St. Johns Bluff Road South
Jacksonville, Florida 32224

Annual Meeting will be the same room and location as the
Cracker Barrel Session
7:30 a.m. Registration and 8:00 a.m. Meeting
Saturday, September 19, 2009.

Banquet Dinner and Awards Ceremonies will be at the Morocco Temple Banquet Hall at 6:00 p.m. and awards ceremony will be at 7:30. The Banquet will be free to attending SFMS meeting attendees' compliments of JGMS. SFMS board and committee members and guest will need to pre-register for tickets. Without pre-registration, the fee for the Banquet dinner will be \$20.00 a ticket.

There are many hotels to stay at for a reasonable price. Officially there is no host hotel for this meeting. Every hotel wants to charge more then drop the price to give you a discount for group events. Of the ones that did offer a discount, their prices started at \$139.00. It seems that most attendees don't stay at the host hotel anyway so we're cutting to the chase and not offering a host hotel. The best suggestion would be to book a room through Hotels.com to find a decent price at a closer location to the Morocco Temple. I found a room for \$59.99 a night 4.2 miles away from the Morocco Temple at Homestead Jacksonville Hotel, 4693 Salisbury Rd, Jacksonville, FL 32256. Hotels at the Beach start at \$179.00. On the Westside of town you can find a room for as little as \$40.00 a night.

Mail or email completed Banquet Registration
Email: webee7@aol.com or mail to:

Jacksonville Gem and Mineral Society
6653 Powers Ave Suite 132
Jacksonville, FL 32217

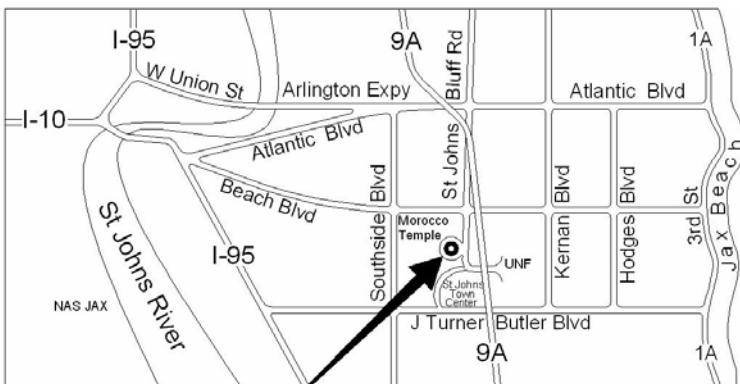
Last First SFMS Board or Committee position or Organization Affiliation

(Spouse/Guest) _____
Last First

Mailing Address City State Zip code

Email address Phone Number

For further information contact The Host Chairman Karyn Bee at 904-282-9275 email webee7@aol.com



Morocco Temple 3800 St. Johns Bluff Road South Jacksonville, Florida 32224

Respectfully, Jason Hamilton President
Jacksonville Gem and Mineral Society

September 2009

| Sun | Mon | Tue | Wed | Thu | Fri | Sat |
|-----|--|-----|-----|-----------------------------|----------------------------|----------------------------|
| | | 1 | 2 | 3 | 4 | 5 |
| 6 | 7 Junior Section at Geology Day | 8 | 9 | 10 | 11 | 12 |
| 13 | 14 | 15 | 16 | 17 Micromount Section | 18 SFMS 2009 Banquet | 19 SFMS 2009 Banquet |
| 20 | 21 General Meeting | 22 | 23 | 24 | 25 | 26 DMC Field Trip |
| 27 | 28 Gem Section | 29 | 30 | | | |

EVENTS

Southeastern Gem and Rock Shows

11-13--WINSTON-SALEM, NORTH CAROLINA: 38th annual show; Forsyth Gem & Mineral Club; Coliseum Annex Bldg., Dixie Classic Fairgrounds, Gate #9 from 27th St.; Fri. 10-7, Sat. 10-7, Sun. 12-5; contact W. A. Marion, 1163 Bear Creek Church Rd., Mocksville, NC 27028; e-mail: MarionA1@yadtel.net

18-20--JACKSONVILLE, FLORIDA: 21st annual show; Jacksonville Gem & Mineral Society; Morocco Temple, 3800 St. Johns Bluff Rd.; Fri. 1-6, Sat. 10-6, Sun. 10-5; rock, gem and mineral displays; contact Tom Frame, 3133 Chapelwood Ln., Jacksonville, FL 32216, (904) 400-3818; e-mail: jgms_show@hotmail.com; Web site: www.jaxgemandmineral.org

Georgia State Park Events

Geology Hike Saturday, Sep 12, 2009 1 PM to 3 PM
Sweetwater Creek State Park - Lithia Springs, GA
 Geologist and "Friends of Sweetwater Creek State Park" member John Johnston will lead a moderate 2-mile hike

identifying rock types and explaining how they formed. There will also be a visit inside the ruins of the Civil War era New Manchester Mill alongside the beautiful rapids of Sweetwater Creek. \$5 plus \$5 parking. 770-732-5871.

Fernbank Museum of Natural History

On Exhibit: Opening September 26: *Gold*
 New Permanent Gallery Now Open: *My Favorite Things*
Now Showing in IMAX:

Film Festival: 2 new films every 2 weeks; through Oct 1.
Opening October 2: Wild Safari and Van Gogh

Martinis and IMAX: Friday evenings, 5:30 p.m. – 10 p.m.

76 Clifton Rd. NE Atlanta, GA (404) 929-6300

<http://www.fernbank.edu/museum/>

Tellus: Northwest Georgia Science Museum

Tellus Lecture Series - Saturday, September 12 at 7PM
 "Building the Dinosaurs of Tellus". Mike Triebold of Triebold Paleontology will discuss the casting and construction of the Tellus dinosaurs. Members - Free ; Non-Members - Included in museum admission.

I-75 Exit 293, Cartersville, Georgia 770-606-5700

<http://www.tellusmuseum.org/>

THE GEORGIA MINERAL SOCIETY, INC.
P.O. Box 15011
Atlanta, Georgia 30333-5011
www.gamineral.org
MEMBERSHIP APPLICATION

Name: _____ Birthday: month/day _____

Email: _____

Spouse: _____ Birthday: month/day _____

Spouse's email: _____

Children's Names & Birthdays: mo/day/yr (residing at home): _____

Address: _____

City: _____ State: _____ Zip+4: _____

Home Phone(s): _____ Cell Phone(s): _____ Office Phone(s): _____

Occupations: _____

Hobbies, Interests: _____

SPECIAL INTEREST GROUPS AT GMS: (Check all that apply)

Mineral Section

Micromount Section

Fossil Section

Junior Section

Gem Section

Electronic Newsletter

Dues for New Members (Single, Couple, Family) are \$25.00 per Society year. (\$20.00 + \$5.00 Initial Processing Fee)
Renewal Dues are \$20.00 per Society year. (due 12 months from the date of joining and every 12 months thereafter)
Reinstatement Dues (For Expired Membership) are \$25.00 (\$20.00 + \$5.00 Reinstatement Fee).

FAMILY MEMBERSHIPS ARE FOR THE IMMEDIATE FAMILY INCLUDING CHILDREN RESIDING WITH PARENTS.
CHILDREN UNDER 18 YEARS OF AGE ARE CONSIDERED JUNIOR MEMBERS.

PLEASE MAKE CHECKS PAYABLE TO THE GEORGIA MINERAL SOCIETY, INC.

THE GEORGIA MINERAL SOCIETY, INC.
P.O. BOX 15011
ATLANTA, GEORGIA 30333 - 5011

ADDRESS CORRECTION REQUESTED
PLEASE FORWARD

FIRST CLASS

